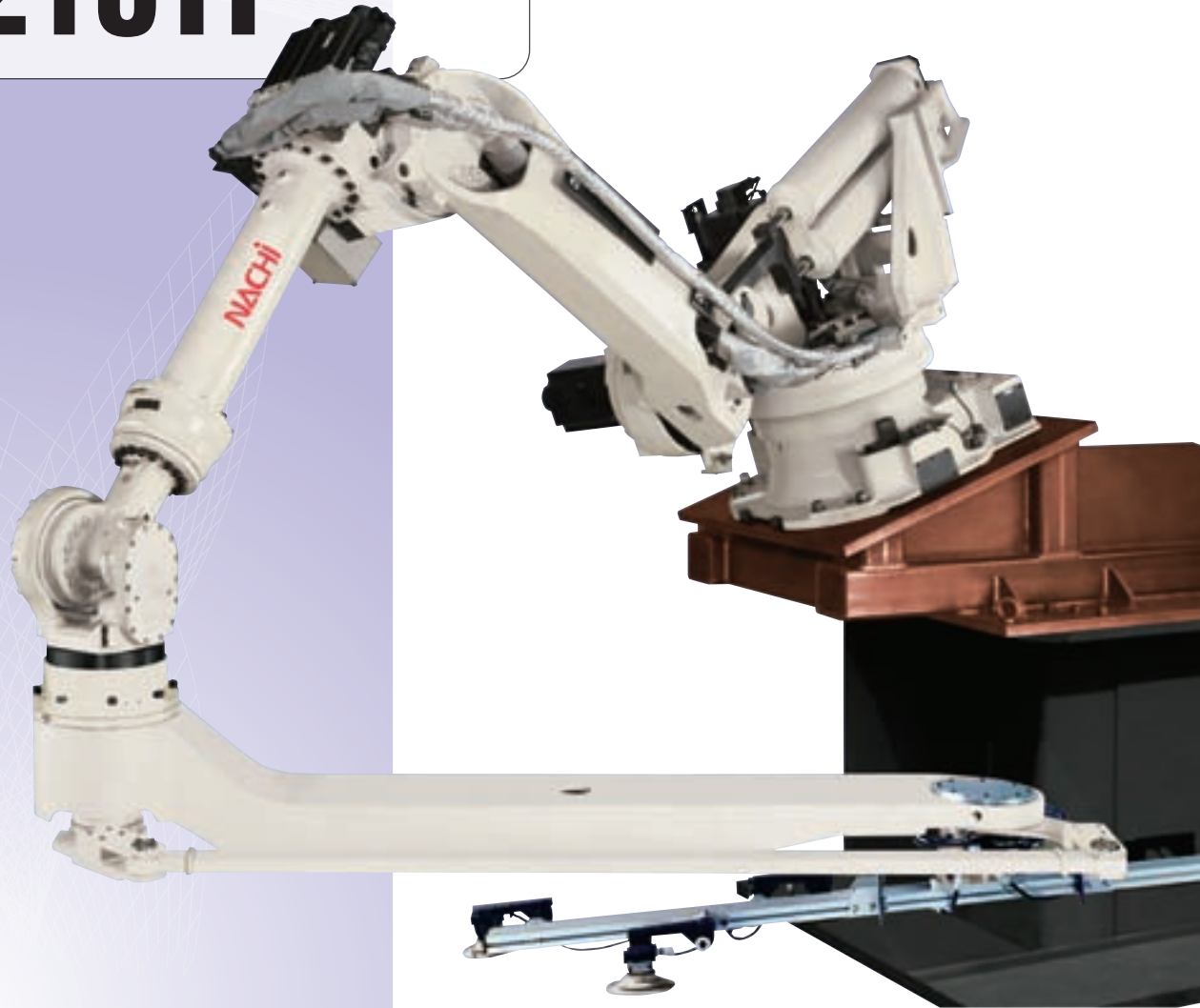


Press tending robot

ST210TP



High speed transfer • Improved durability

- Highly rigid design and vibration suppression control ensure high speed motion and durability improvement.
(Transfer capability : Max. 12spm under condition of light load)

New swivel arm for press tending

- Thin and light arm, payload up to 80kg.
(hand tool + work piece)
- Available various orientations of work transfer.
(parallel transfer, 180°/90° rotated transfer)
- Maximum press pitch up to 8m.
- Change tools while press dies are being changed by installing the Auto Tool Changer (option).

Internal air hose and application cable

- Air : $\phi 12$ X 4 line, Application cable : 40 wires

ST210TP

Robot specifications

Item		Specifications	
Robot model		ST210TP-01	
Structure		Articulated construction	
Number of axes		7	
Drive system		AC servo system	
Max. operating area	Arm	J1	± 3.14 rad
		J2	$+2.09 \sim -0.61$ rad
		J3	$+3.67 \sim -1.68$ rad
	Wrist	J4	± 6.28 rad
		J5	± 2.09 rad
		J6	± 6.28 rad
	Swivel arm	J7	± 1.13 rad
Max. velocity	Arm	J1	1.92 rad/s
		J2	1.57 rad/s
		J3	1.66 rad/s
	Wrist	J4	2.27 rad/s
		J5	2.27 rad/s
		J6	4.36 rad/s
	Swivel arm	J7	2.09 rad/s
Payload	Wrist	80 kg	
	Forearm	30 kg	
Max. allowable moment of inertia	J7	80 kg·m ²	
Position repeatability		± 0.3 mm	
Ambient temperature		0~45°C	
Ambient humidity		20~80%RH (Non condensing)	
Vibration value		0.5G Less than 0.5G	
Installation		Shelf mount (20 degree inclined)	
Robot mass		1,650 kg	

1 [rad] = 180/π [°], 1 [N·m] = 1/9.8 [kgf·m]

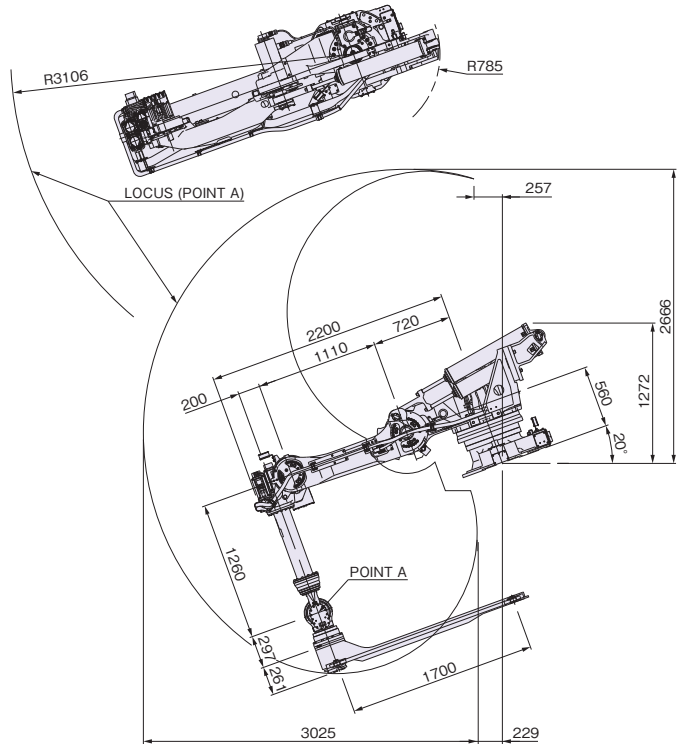
※1: This value changes by placement and load conditions of a wrist.

※2: This value conforms to "JIS B 8432".

※3: Inclined angle for installation is 20 degree only. Horizontal installation and inclined angle except 20 degree is not permitted for this robot.

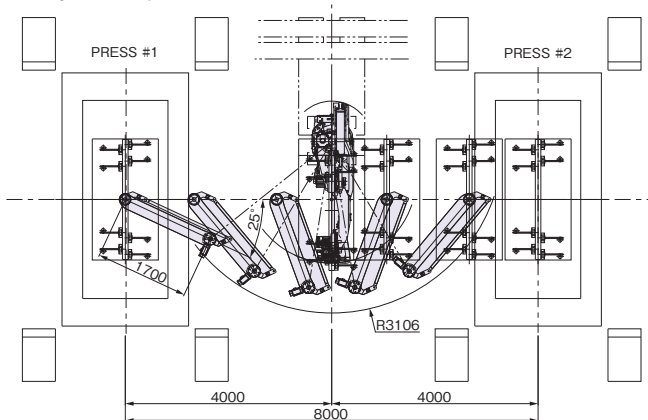
※4: Maximum working envelope and maximum payload values mean when work piece is carried keeping

Exterior dimensions and operating envelope

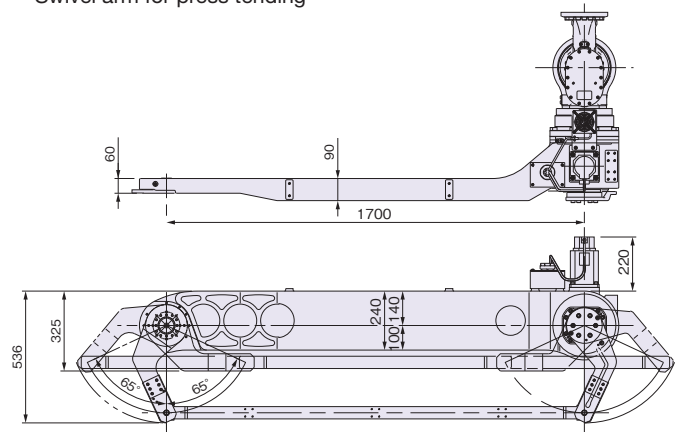


horizontal posture.

Layout sample



Swivel arm for press tending



*The specifications are subject to changes without notice.

*In case that an end user uses this product for military purpose or production of weapon, this product may be liable for the subject of export restriction stipulated in the Foreign Exchange and Foreign Trade Control Law. Please go through careful investigation and necessary formalities for export.

NACHI
株式会社 不二越

URL : <http://www.nachi-fujikoshi.co.jp>

(Tokyo Head Office) Shiodome Sumitomo Bldg.17F 1-9-2 Higashi-shinbashi, Minato-ku, Tokyo105-0021, Japan
Tel: +81-(0)3-5568-5111 Fax: +81-(0)3-5568-5206
(Toyama Head Office) 1-1-1 Fujikoshi-Honmachi, Toyama 930-8511, Japan
Tel: +81-(0)76-423-5111 Fax: +81-(0)76-493-5211
(Oversea Div.) Tel: +81-(0)3-5568-5245

CATALOG NO.

7417-2

2011.11.Q-ABE-ABE